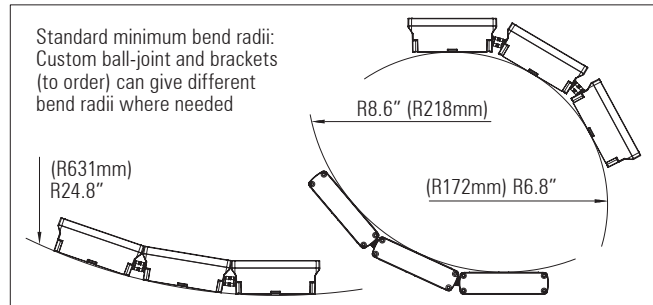
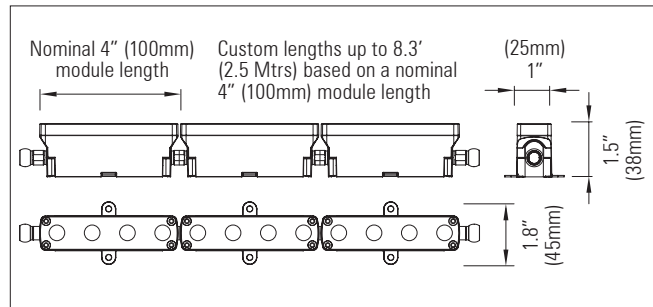


3D LED Flex 25 IP20 Class 2

1, 2, 3 or 4 x high power LEDs with lenses per module

Modular, 3D flexible LED linear lighting system



1, 2, 3 or 4 x high power LEDs with lenses per module

Modular, 3D flexible LED linear lighting system

Product description:

For use in interior indirect cove lighting applications or direct wall washing applications where the building surfaces are non linear with curved profiles

Each module - 2 or 4 x Cree XP-E, XP-G or XQ-E LEDs or Osram Oslon LEDs with Ledil Larisa or Lisa lenses

Up to 3.5 Watts per 4" (100mm) module

30 Volt - 48 Volt DC supply depending on application

Flexible in 3 dimensions - Articulated ball-joint system between modules

LED pitch is maintained between the modules

Side, back and end power feed and connector options allow for continuous lighting with no dark areas between fixtures. 16 Amp IP20 connectors join fixtures together on-site

Integral LV constant current driver

Dimming options available: 1 - 10V, DMX and DALI. Separate dimming channel

Various LED colour temperature and CRI options available

Satin black, satin white or any RAL paint colour finish

Custom lengths based on a 4" (100 mm) module up to 8.3' (2.5 mtrs)

Various mounting options and bracket types are available

* RGB, RGBW, RGBA and Dynamic-white options do not use a colour mixing lens. For a colour mixing lens version see the data sheet for the 3D LED Flex 40 IP20 with 1 x RGBW LED array with colour-blending lens per module

Up to 1,200 lumens per ft
(Up to 4,000 Lumens per Mtr)

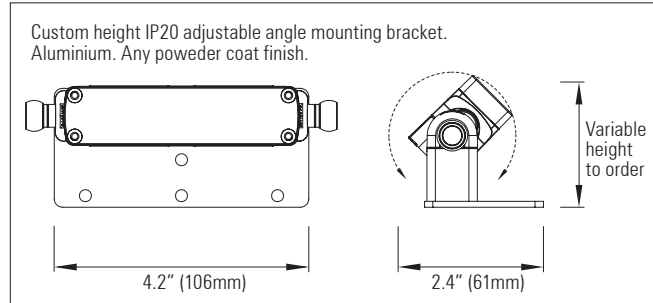
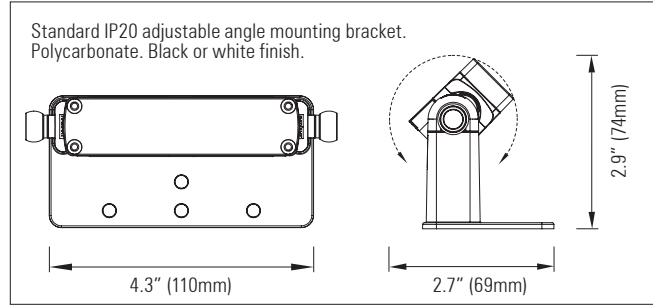
LED / lens matrix	CREE XP-E		CREE XP-G	
	Lisa2	Larisa	Lisa2	Larisa
Diffused spot (D)	N/A	N/A	N/A	N/A
Real spot (RS)	16 °	15 °	26 °	N/A
Medium (M)	24 °	23 °	34 °	36 °
Wide (W)	37 °	39 °	48 °	N/A
Wide (WW)	42 °	N/A	54 °	N/A
Wide (WWW)	84 °	N/A	86 °	N/A
Elliptical (O)	18+48°	39+17°	46+24°	39+25 °

Product Code	No. of LEDs	IP	Length	Colour Temp. (K)	CRI	Cover	Feed	Finish
RAD 3D LED FLEX 25 IP20 HP - 4 L	4 LEDs per 4" module: 1" (25mm) LED pitch	20	4" (100mm)	22=2,200k 27=2,700k 30=3,000k 35=3,500k 40=4,000k 45=4,500k 50=5,000k * RGB * RGBW * RGBA * Dynamic white	80 90	Clear	End Back Side	Black White Any RAL colour
RAD 3D LED FLEX 25 IP20 HP - 3 L	3 LEDs per 4" module: 1.3" (33mm) LED pitch		-increments of 4" (100mm) up to-					
RAD 3D LED FLEX 25 IP20 HP - 2 L	2 LEDs per 4" module: 2" (50mm) LED pitch		8.3' (2.5 mtrs)					
RAD 3D LED FLEX 25 IP20 HP - 1 L	1 LED per 4" module: 4" (100mm) LED pitch							

3D LED Flex 25 IP20 Class 2

1, 2, 3 or 4 x high power LEDs with lenses per module

Adjustable-angle mounting bracketry



Adjustable angle mounting bracketry for 3D LED Flex 25 IP20 8 or 12 x 0.3 Watt medium power LEDs with white reflector per module

The 3D LED Flex 25 system is flexible in 3 dimensions, which allows it to follow curved building contours. Once they have been fixed to the building surface, adjustable angle brackets allow the modules to be rotated around the major axis, so that the light output can be aimed precisely.

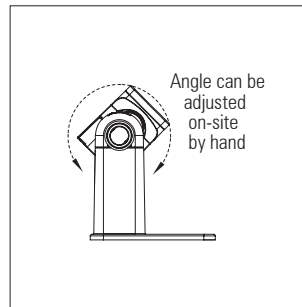
The angle of the modules can be adjusted by hand on-site. The friction ball-joint system keeps the modules correctly positioned.

A standard height version and a custom height version are available.

Custom options are also available.

The standard height bracket is made from polycarbonate and is available in black or white.

The custom-height bracket is made from aluminium with a powder coat finish which is available in satin black, satin white or any RAL paint colour finish.

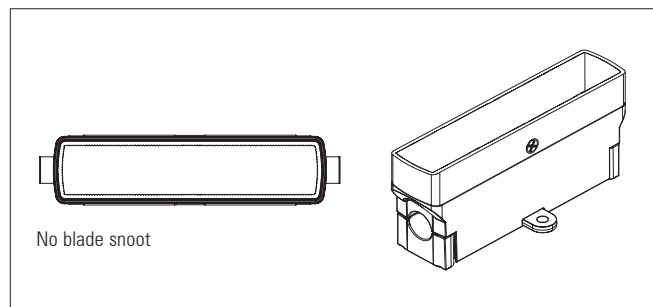
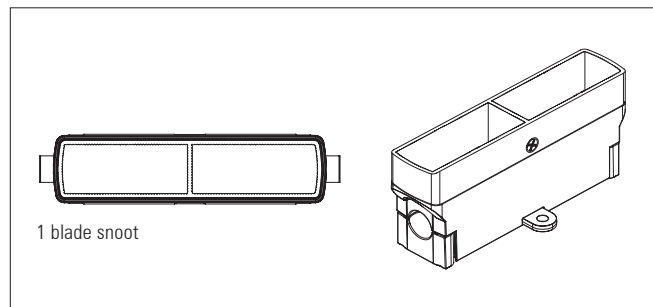
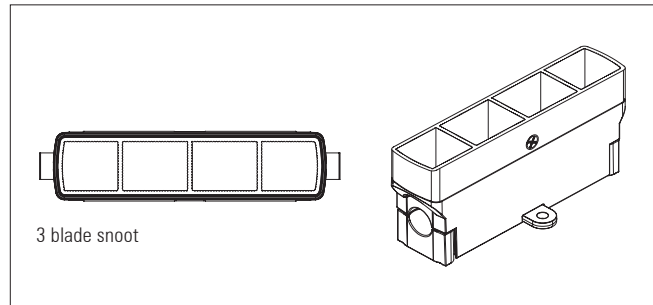
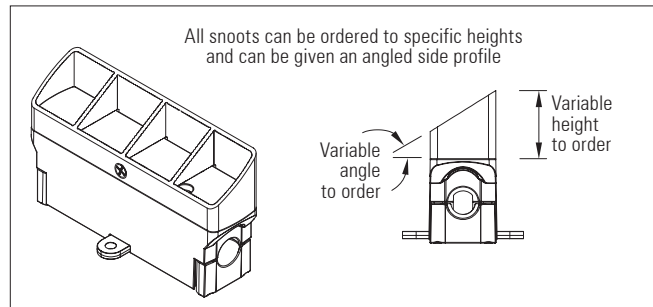


Product code	IP	Finish	Height of legs
RAD 3D LED FLEX 25 IP20 ADJUSTABLE ANGLE BRACKET STANDARD PC	20	Polycarbonate: Black White	Custom height version only: 0.8" (20mm)
RAD 3D LED FLEX 25 IP20 ADJUSTABLE ANGLE BRACKET CUSTOM HEIGHT AL		Aluminium: Black White Any RAL colour	-increments of 0.2" (5mm) up to- 12" (305mm)

3D LED Flex 25 IP20 Class 2

1, 2, 3 or 4 x high power LEDs with lenses per module

Anti-glare accessories



3D LED FLEX 25 anti-glare accessories

For use with the 3D LED Flex 25 system IP20 to control light glare from the LEDs when the fixtures are not fully recessed

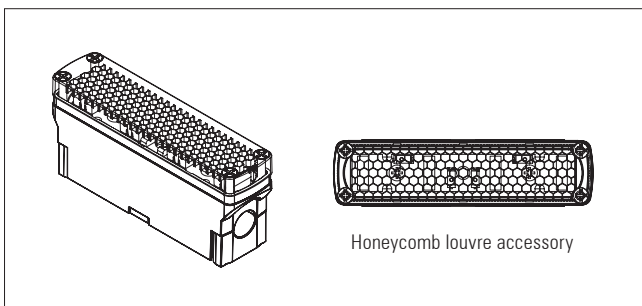
3 blade, 1 blade and no blade snoots are available

Satin black, satin white or any RAL paint colour finish

Custom height to order. Straight or any custom cut angle side-profile to order

The honeycomb louvre accessory provides excellent glare control with a low profile

Product Code	No. of blades	IP	Height	Cut angle of side-profile (°)	Finish
RAD 3D LED FLEX 25 SNOOT	0 1 3	20	0.8" (20mm) -increments of 0.2" (5mm) up to- 12" (305mm)	0° -increments of 5° up to- 75°	Black White Any RAL colour
RAD 3D LED FLEX 25 HONEY-COMB	NA	20	NA	NA	Black



Product description:

Radiant's 3D LED Flex 25 system comprises a patented articulated ball-joint system which links the heatsink modules.

The ball-joints system allows the strips to bend and twist in 3 dimensions, so that they can follow any building contours, whilst maintaining a constant LED pitch.

There are various types of ball-joint to suit different applications, some of which can be seen on this data sheet. Please contact Radiant to discuss custom solutions.

Product Code	Material	Length (mm)
STANDARD BALL-JOINT	Nickel-plated brass	(For longer ball-joints)
BALL-JOINT STRAIGHT BRACKET		
BALL-JOINT BRACKET TIGHT BENDS	Stainless steel	3.9" (100mm)
BALL-JOINT CURVED BRACKET		7.9" (200mm)
BALL-JOINT TIGHT BENDS		11.8" (300mm)
BALL-JOINT LONG		Custom lengths
BALL-JOINT IN LINE FIXING		

